

Custom projects for unique requirements

When off-the-shelf solutions fall short, research and development teams turn to Peira for custom projects.

Peira combines **mechatronic hardware and software expertise with in-house workshops** to provide the missing assets you need.

“Peira” is an ancient Greek term meaning test, attempt, experience, assaying, or trial.

Through its custom projects, Peira is **central to innovative scientific laboratories**, promoting innovation, reducing bias, increasing the reliability of experiments, and strengthening the robustness of your research.

Peira’s custom projects are **entirely focused on the ideas, challenges, and needs of scientists and lab professionals**. We leverage our expertise to develop technical solutions for a wide array of applications in drug development and validation.

Facilitate scientific innovation



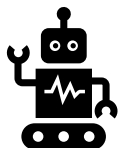
Innovative studies frequently demand research platforms that surpass conventional lab equipment. We support these cutting-edge platforms from the early discovery stages through to in vivo testing, enabling scientists to study new domains.

Solving the researcher’s problem



As research evolves, new functionality is required from lab equipment. Peira addresses these needs by providing solutions ranging from simple tooling and retrofits to entirely new machines built from the ground up.

Tailored Lab automation



Lab automation promotes high throughput, but there is no one solution that fits all. Peira designs and implements automation projects ranging from “filling in the missing link” to “installing the full chain”.

About Peira Scientific Instruments

Peira drives life science innovation with lab products, client-based mechatronic solutions and technical services.

Founded in 2008 as a **spin-out from Johnson & Johnson's Design & Engineering Lab Services**, Peira offers extensive expertise in scientific and analytical lab operations and industrialization processes.



OUR EXPERTISE

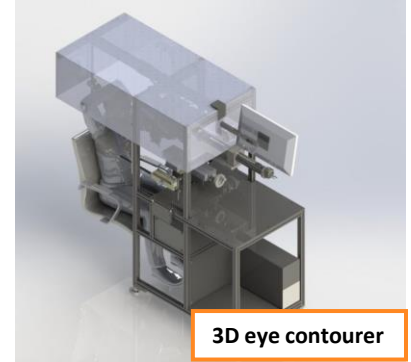
Peira has a deep understanding of the following domains.

- Pharmaceutical development
- Analytical research
- Lab & synthesis reactors
- High throughput systems
- Lab automation
- Various scientific domains such as un vitro, in vivo, neuroscience, oncology or toxicology

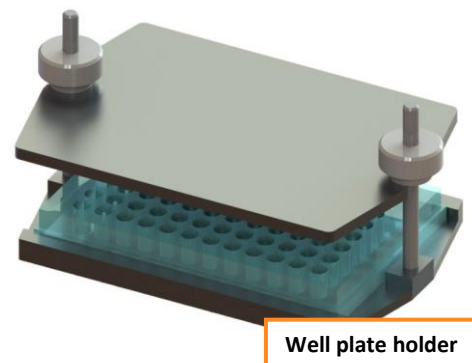
Some of our cases



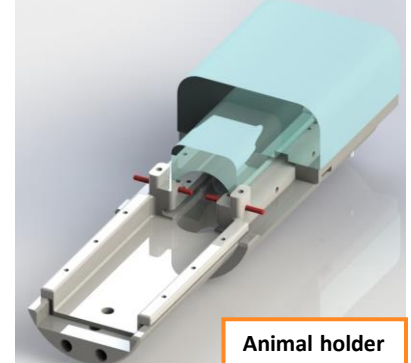
Pick & place



3D eye contourer



Well plate holder



Animal holder



Depth electrode

Spotlight on EEG electrodes for neurosciences

EEG (electroencephalography) electrodes are small metal discs that record brain activity. EEG is used to diagnose and monitor conditions like epilepsy and sleep disorders, and to study brain function. Peira specializes in the micro-assembly and integration of these electrodes, offering cleanroom facilities and integration with cabinets, swivel systems, and signal processors.

OUR IN-HOUSE CAPABILITIES

Mechatronic engineering

Peira excels in diverse applications from small electronics to large production lines with a pragmatic, solution-focused, approach.

CNC workshop

Peira ensures rigorous component-level control using our state-of-the-art CNC division.

Mechatronic lab

Peira offers prototyping capabilities, lab testing equipment and full system assembly infrastructure to support both unique and serially manufactured systems.